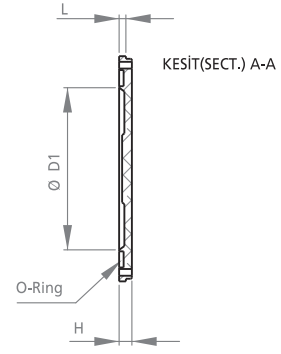
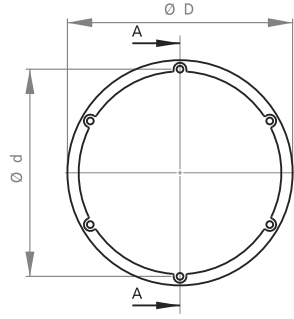
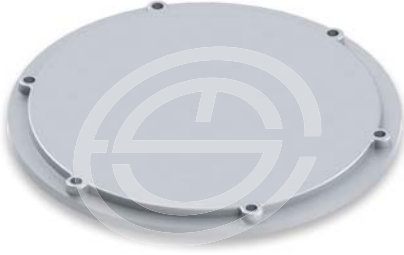




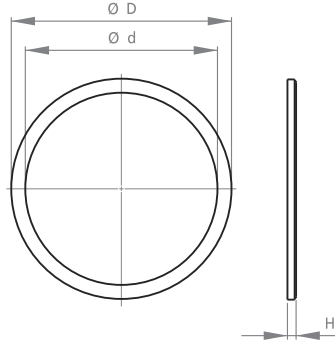
BAKIM KAPAĞI

OVERHAUL COVER



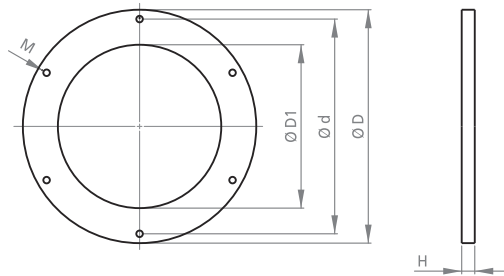
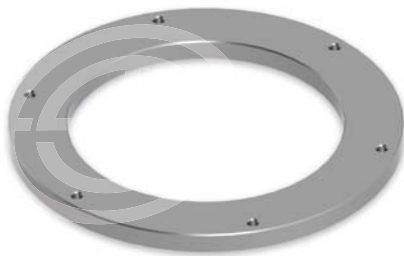
BAKIM KAPAĞI OVERHAUL COVER

KOD CODE	D	D1	d	H	L	M	DELİK SAYISI HOLE NUMBER	O-RİNG KANALI O-RING DUCT
EBK250	250	180	230	17	9.5	M8	6	216 x 186
EBK300	300	215	276	17	9.5	M8	6	263 x 220
EBK350	350	250	323	18	10	M10	4	300 x 260
EBK350-1	350	250	323	18	10	M10	8	300 x 260
EBK500	500	365	451	20	12	M12	6	428 x 380



BAKIM KAPAĞI LASTİĞİ OVERHAUL COVER O-RING

KOD CODE	D	d	H
EBKL250	215	187	13
EBKL300	260	222	15
EBKL300I	260	222	11
EBKL350	298	261	15
EBKL350I	298	261	11
EBKL500I	427	383	13
EBKL500	427	383	16



BAKIM KAPAĞI FLANŞI OVERHAUL COVER FLANGE

KOD CODE	D	D1	d	H	M	DELİK SAYISI HOLE NUMBER
EBKF250	250	175	230	12	M8	6
EBKF300	300	210	276	12	M8	6
EBKF350	350	250	323	16	M10	4
EBKF350-1	350	250	323	16	M10	8
EBKF500	500	373	451	16	M12	6