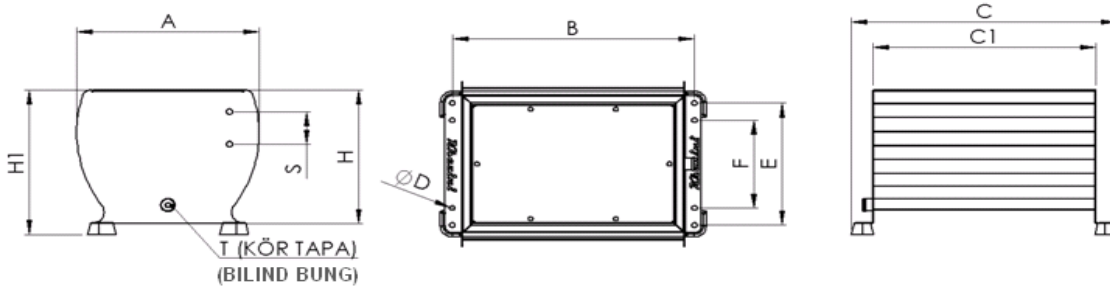
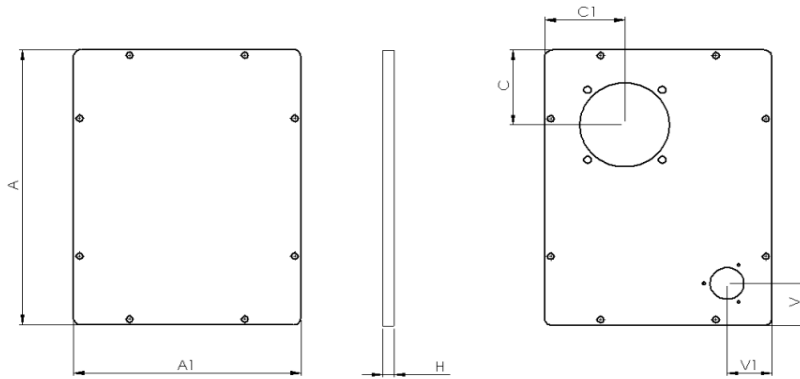




**18 LİTRE HİDROLİK YAĞ TANKI**  
**18 LITER HYDRAULIC OIL TANK**



KOD	A	B	C	C1	D	E	F	H	H1	S	T
CODE											
YT 18	363	511	561	471	11	285	205	272	297	76	G 3/8"



KOD	KAMPANA Ø	A	A1	C	C1	H	V	V1
CODE	BELHOUSING Ø							
YT 18K	-	425	275	-	-	3	-	-
YTK 18K140	160	425	275	105	105	3	50	50
YTK 18K160	200	425	275	125	125	3	50	50
YTK 18K200	250	425	275	161	137	3	50	50