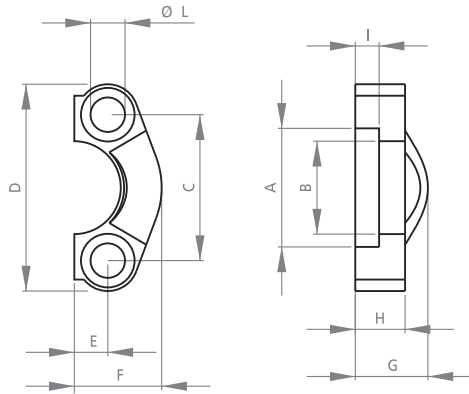




SAE YARIM AY FLANŞ

SAE FLANGES HALVES



SAE FK 3000 PSI

KOD CODE	SAE	A	B	C	D	E	F	G	H	I	L
FK 3001	1/2"	30.96	24.26	38.1	54	8.74	22.8	19	13	6.22	8.5
FK 3002	3/4"	38.89	32.13	47.63	65	11.12	25.9	22	14	6.22	10.5
FK 3003	1"	45.24	38.48	52.37	70	13.09	29.2	24	16	7.49	10.5
FK 3004	1 1/4"	51.59	43.69	58.72	79	15.09	36.3	22	16	7.49	10.5
FK 3005	1 1/2"	61.09	50.8	69.85	94	17.86	41.1	25	16	7.49	13
FK 3006	2"	72.24	62.74	77.77	102	21.44	48.2	26	16	9.02	13
FK 3007	2 1/2"	84.94	74.93	88.9	114	25.4	54.1	38	19	9.02	13
FK 3008	3"	102.39	90.93	106.38	135	30.97	65.3	41	22	9.02	17

SAE FK 6000 PSI

KOD CODE	SAE	A	B	C	D	E	F	G	H	I	L
FK 6001	1/2"	32.54	24.64	40.49	56	9.12	23.6	22	16	7.24	8.5
FK 6002	3/4"	42.06	32.51	50.8	71	11.9	20	28	20	8.26	10.5
FK 6003	1"	48.41	38.86	57.15	81	13.88	34.95	33	25	9.02	13
FK 6004	1 1/4"	54.76	44.45	66.68	95	15.88	38.6	38	27	9.78	15
FK 6005	1 1/2"	64.29	51.56	79.38	113	18.25	47.5	43	30	12.07	17
FK 6006	2"	80.16	67.56	96.82	133	22.23	56.9	52	37	12.07	21
FK 6007	2 1/2"	108.9	90	123.8	180	29.4	75.1	60	45	20.5	25
FK 6008	3"	132.5	115	152.4	215	35.8	99.08	75	55	25.5	32